

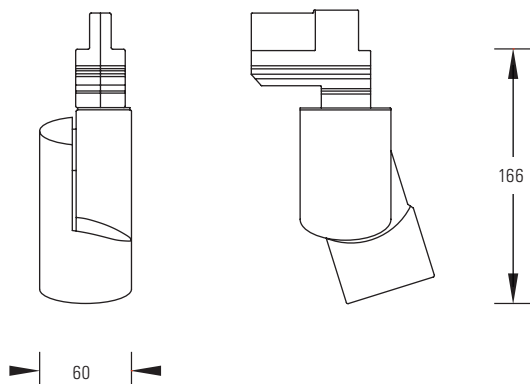


ZYLINDER MICRO LED

Miniature track light with integrated electronic gear and chip on board LED technology.

- Miniature design with integrated driver.
- Lamp housing of diecast aluminium for optimal cooling and long lifetime.
- Ideal for use in display areas.
- Available with beam angles of spot (14°), medium (25°) and flood (35°).
- Colour temperature – available in 3000K and 4000K versions.
- CRI 80 as standard, CRI 90 available on request.

- Finished white as standard, black and grey available on request.
- Predicted lifetime > 50,000 hours.
- No ultra violet or infra red emissions.
- Photometric data available in Eulumdat format on request or via Relux website.
- Standard ITAB Prolight LED warranty.



Catalogue No.	Colour	Beam Angle	Luminaire Flux	Total System Wattage	Luminaire Lumens / Circuit Watt	Colour Temp	CRI
NOR/305-500-10-840	White	Spot (14°)	1400	15	93	4000K	80
NOR/305-500-20-840	Black	Spot (14°)	1400	15	93	4000K	80
NOR/305-500-30-840	Grey	Spot (14°)	1400	15	93	4000K	80
NOR/305-501-10-840	White	Medium (25°)	1400	15	93	4000K	80
NOR/305-501-20-840	Black	Medium (25°)	1400	15	93	4000K	80
NOR/305-501-30-840	Grey	Medium (25°)	1400	15	93	4000K	80
NOR/305-502-10-840	White	Flood (35°)	1400	15	93	4000K	80
NOR/305-502-20-840	Black	Flood (35°)	1400	15	93	4000K	80
NOR/305-502-30-840	Grey	Flood (35°)	1400	15	93	4000K	80

Colour Temperature: For colour 3000 Kelvin, replace '40' in the catalogue number with '30': e.g. NOR/305-500-10-830
Colour Rendering: For CRI 90 replace '8' in the catalogue number with '9': e.g. NOR/305-502-10-930