

SPIRE BOLLARD

LED

In response to a demand by TATA Rail for a safe and energy efficient solution to the illumination of walkways, ITAB Prolight embarked on the design of a bollard using LED light sources which would control the directional flow of light in order to achieve the targeted performance criteria.

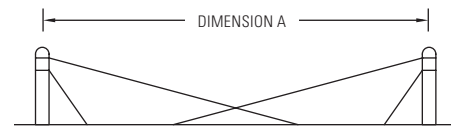
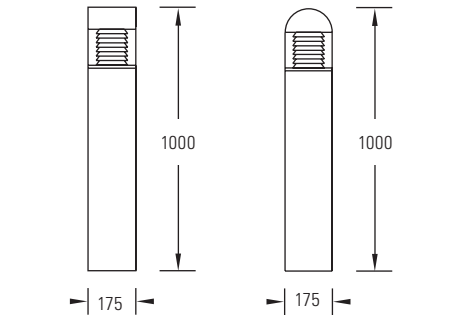
- Predicted lifetime >50,000 hours.

“Having successfully used a 45W Cosmopolis bollard from ITAB Prolight on a rail project at Peterborough, I asked their engineers to look into the possibility of using an LED source in place of the Cosmo lamp. They were able to develop a product based around the specific parameters we gave them.

This luminaire has been specially designed for walkway lighting in railway environments, it directs the light only where it is needed therefore reduces overspill and glare. This has enabled the engineers at ITAB Prolight to produce a very efficient lighting bollard of only 16W with a whole life cost notably lower than the Cosmo lamp version. We are able to space the fittings 8 metres apart and still meet all of Network Rail’s requirements for Authorised Walking Routes.

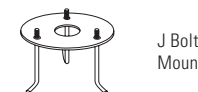
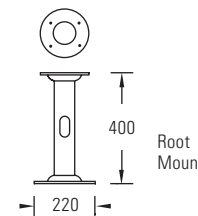
I was very impressed with the expertise and service from everyone involved at Profile, the development of a pre-production prototype and photometric testing was turned around extremely fast and the final product has far exceeded my expectations.”

Mike Kimmitt
Senior Electrical Engineer, TATA Steel Projects



DIMENSION A	MINIMUM LUX AT CENTRE POINT BETWEEN BOLLARDS
5 METRES	23 LUX
6 METRES	16 LUX
7 METRES	10 LUX
8 METRES	6 LUX
9 METRES	4.5 LUX
10 METRES	3.5 LUX

MINIMUM LUX CALCULATED ON CENTRE LINE OF 2M WIDE PATHWAY



SPECIFICATION

- Body:** IP65 polyester powder coated extruded aluminium post with die cast aluminium body and a flat or domed top.
- Colour:** Available in black or silver.
- LEDs:** 13W LED with 1500 lumen output.
Total System Power = 15.6W
- Optics:** Options of Bi-directional or Radial distribution with bespoke louvre optics.
- Wiring:** Termination allows looping of SWA cable into a 5 way 100A/25mm² enclosed connector block.
- Fixing:** The base can be fixed direct to solid surface (with appropriate fixings by others) or with our Root Mount fixing option.
Root Mount Kit: 400mm RED OXIDE coated, steel base with side entry cable slot, 3xJ bolts and template.
- Photometrics:** Photometric data is available on request or via the Relux website.
- Warranty:** Standard ITAB Prolight LED warranty (see page 161).

Distribution	Head	Catalogue No. DIRECT MOUNT	Catalogue No. WITH RM KIT
Bi-directional	Domed	SPDLA/F/15/4K/B	SPDLA/F/15/4K/B/R
Bi-directional	Flat	SPFLA/F/15/4K/B	SPFLA/F/15/4K/B/R
Radial	Domed	SPDLR/F/15/4K/B	SPDLR/F/15/4K/B/R
Radial	Flat	SPFLR/F/15/4K/B	SPFLR/F/15/4K/B/R

To specify a silver version, replace 'B' in the catalogue number with 'S': e.g. SPDLA/F/15/4K/S