


# Pendant



## SOMBRAIRO

LED 

A decorative flexible pendant luminaire suitable for retail, hospitality and break out areas. Surface (conduit box), track or plasterboard mounted, with opalised prismatic diffuser and available in a variety of outputs.

- Opalised prismatic diffuser for glare control.
- Luminaire can be surface mounted onto a conduit box, track mounted or fixed to plasterboard.
- Ideal for use in retail, hospitality and breakout areas.
- Nominal lumen outputs are shown in the tables, but alternative preset outputs are available in the range 2000 lumens up to 6000 lumens.
- Available with fixed output, DALI, DSI or Switchdim drivers.

- Emergency version unavailable at this time.
- Colour temperature – available in 3000K and 4000K versions.
- CRI 80 as standard.
- 2 metre cable length as standard.
- Finished black outer, white inner as standard. See table to specify white outer and inner. Other colours available on special request.
- Predicted lifetime >50,000 hours.
- No ultra violet or infra red emissions.
- Photometric data available in Eulumdat format on request or via Relux website.
- Standard ITAB Prolight LED warranty.

| Catalogue No.        | Mounting Type | Colour | LED Flux | Luminaire Flux | LED Wattage | Total System Wattage | Luminaire Lumens / Circuit Watt | Colour Temp | CRI |
|----------------------|---------------|--------|----------|----------------|-------------|----------------------|---------------------------------|-------------|-----|
| SOMB/TF20/4K8/TR/2.0 | Track         | Black  | 2000     | 1400           | 11.2        | 12.3                 | 114                             | 4000K       | >80 |
| SOMB/TF29/4K8/TR/2.0 | Track         | Black  | 2900     | 2030           | 16.3        | 17.9                 | 113                             | 4000K       | >80 |
| SOMB/TF40/4K8/TR/2.0 | Track         | Black  | 4000     | 2800           | 23.2        | 25.5                 | 110                             | 4000K       | >80 |
| SOMB/TF60/4K8/TR/2.0 | Track         | Black  | 6000     | 4200           | 35.9        | 39.5                 | 106                             | 4000K       | >80 |

**Colour Temperature:** For colour 3000 Kelvin, replace '4K' in the catalogue number with '3K': e.g. SOMB/TF20/3K8/TR/2.0

**Dimmable Drivers:** To specify DALI driver, replace 'F' in the catalogue number with 'X': e.g. SOMB/TF20/4K8/XR/2.0

To specify DALI driver wired for Switchdim operation, replace 'F' in the catalogue number with 'S': e.g. SOMB/TF20/4K8/SR/2.0

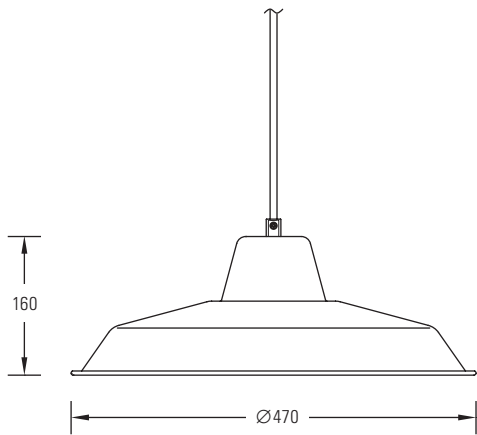
**Mounting Option:** To specify surface conduit box mounting, replace 'TR' in the catalogue number with 'CB': e.g. SOMB/TF20/4K8/CB/2.0

To specify plasterboard mounting, replace 'TR' in the catalogue number with 'PB': e.g. SOMB/TF20/4K8/PB/2.0

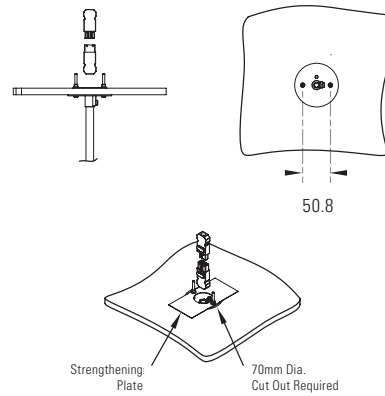
**Colour Option:** For white outer, replace 'B' in the catalogue number with 'W': e.g. SOMBW/TF20/4K8/TR/2.0

**Cable Option:** For other cable lengths replace '2.0' in the catalogue number with your requirement: e.g. SOMB/TF20/3K8/TR/0.5





Plasterboard Mounting



Surface Conduit

