



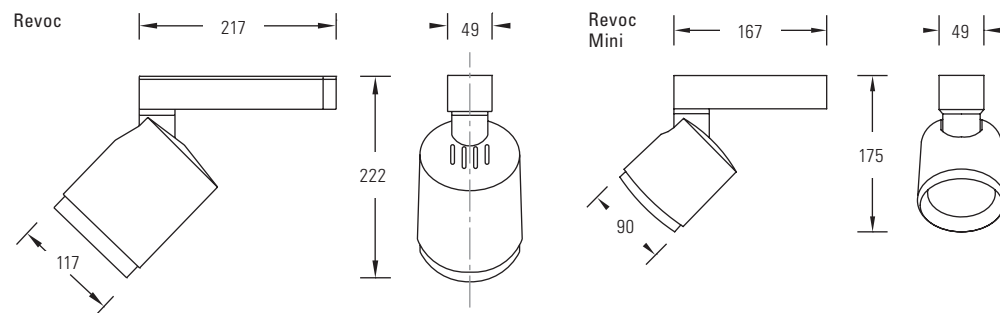
Colour options:



## REVOC / REVOC MINI

LED

- Die cast aluminium track mounted spotlights.
- Revoc ~ 2800 Lumens (luminaire output).
- Revoc Mini ~ 1700 Lumens (luminaire output).
- Interchangeable optics, available in spot, medium and flood distributions.
- Colour rendering index = 90+.
- Predicted lifetime >50,000 hours.
- Colour temperature – available in 3000K and 4000K versions.
- Electronic drivers.
- Universal 3 circuit track adaptor.
- Available in white, black or grey.
- Standard ITAB Prolight LED warranty (see page 161).



Catalogue No.	Housing	Colour	Distribution	Luminaire Flux (Lumens)	Total System Wattage	Luminaire Lumens / Circuit Watt	Colour Temp	CRI	Weight (Kg)
NOR/287-500-10-3K	Revoc	White	Spot (14°)	2900	30	97	3000K	90+	1.2
NOR/287-500-20-3K	Revoc	Black	Spot (14°)	2900	30	97	3000K	90+	1.2
NOR/287-500-30-3K	Revoc	Grey	Spot (14°)	2900	30	97	3000K	90+	1.2
NOR/287-501-10-3K	Revoc	White	Medium (28°)	2900	30	97	3000K	90+	1.2
NOR/287-501-20-3K	Revoc	Black	Medium (28°)	2900	30	97	3000K	90+	1.2
NOR/287-501-30-3K	Revoc	Grey	Medium (28°)	2900	30	97	3000K	90+	1.2
NOR/287-502-10-3K	Revoc	White	Flood (39°)	2900	30	97	3000K	90+	1.2
NOR/287-502-20-3K	Revoc	Black	Flood (39°)	2900	30	97	3000K	90+	1.2
NOR/287-502-30-3K	Revoc	Grey	Flood (39°)	2900	30	97	3000K	90+	1.2
NOR/285-510-10-3K	Revoc Mini	White	Spot (15°)	1900	19	100	3000K	90+	0.76
NOR/285-510-20-3K	Revoc Mini	Black	Spot (15°)	1900	19	100	3000K	90+	0.76
NOR/285-510-30-3K	Revoc Mini	Grey	Spot (15°)	1900	19	100	3000K	90+	0.76
NOR/285-511-10-3K	Revoc Mini	White	Medium (25°)	1900	19	100	3000K	90+	0.76
NOR/285-511-20-3K	Revoc Mini	Black	Medium (25°)	1900	19	100	3000K	90+	0.76
NOR/285-511-30-3K	Revoc Mini	Grey	Medium (25°)	1900	19	100	3000K	90+	0.76
NOR/285-512-10-3K	Revoc Mini	White	Flood (33°)	1900	19	100	3000K	90+	0.76
NOR/285-512-20-3K	Revoc Mini	Black	Flood (33°)	1900	19	100	3000K	90+	0.76
NOR/285-512-30-3K	Revoc Mini	Grey	Flood (33°)	1900	19	100	3000K	90+	0.76

To specify colour 4000K replace '3K' in the catalogue number with '4K': e.g. NOR/233-505-20-4K