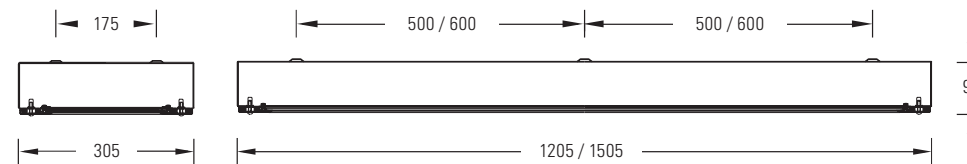
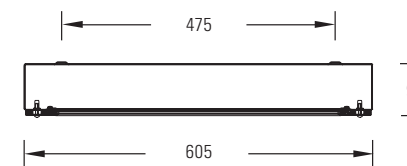


PRO-CLEAN SEALED

LED

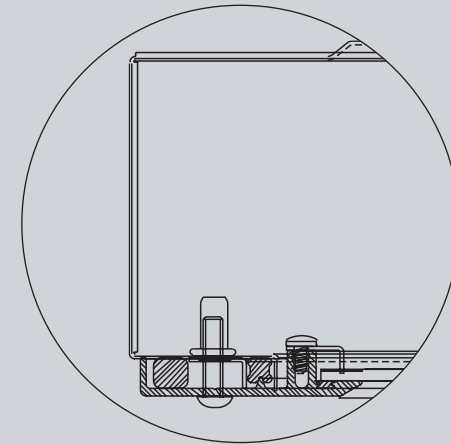
The Pro-Clean range of high specification surface LED IP65 sealed luminaires is available in 600x600 and 1200x300mm options as standard, other versions on request.

- Suitable for use in hospitals, food prep areas, clean rooms, pharmaceutical areas and secure areas with vandal resistant and anti ligature requirements.
- An aluminium extruded frame featuring a closed cell Ethylene Propylene (EPDM) 3 gasket system to IP65 that ensures the seal is maintained along the whole length of the luminaire. Screw cover caps supplied as standard.
- Diffuser options:
 - Polycarbonate TP(a) opalised diffuser designed to eliminate spotting and provide an even luminance over the whole diffuser.
 - 2mm Opal (as above) and 3mm Clear Polycarbonate sandwich (provides extra strength for vandal resistant and secure areas). Supplied with security screws as standard with this option.
- Completely removable gear tray for ease of maintenance.
- Available in fixed output, DALI or Switchdim operation.
- Colour temperature – available in 3000K and 4000K versions.
- Colour rendering index Ra >80 (Ra >90 is available in the higher output versions on request).
- Predicted lifetime >50,000 hours.
- No ultra violet or infra red emissions.
- Standard, self test and DALI reporting 3 hour maintained emergency conversions are available.
- Photometric data available in Eulumdat format on request or via Relux website.
- Nominal lumen outputs are shown in the tables, but alternative preset outputs are available, at special request, in the range 3200 to 10,000 lumens.
- Standard ITAB Prolight LED warranty (see page 161).





Screw caps as standard



LED Opalised Diffuser

Catalogue No.	Nominal Dimensions (mm)	LED Flux (Lumens)	Luminaire Flux (Lumens)	Total System Wattage	Luminaire Lumens / Circuit Watt	Colour Temp	CRI	Weight (Kg)
CRPS/66/F/52/3K	600x600	5200	3120	39.5	79.0	3000K	>80	6.5
CRPS/66/F/88/3K	600x600	8800	5280	62.5	84.5	3000K	>80	6.5
CRPS/66/F/52/4K	600x600	5200	3120	37.0	84.3	4000K	>80	6.5
CRPS/66/F/88/4K	600x600	8800	5280	59.0	89.5	4000K	>80	6.5
CRPS/123/F/52/3K	1200x300	5200	3120	39.5	79.0	3000K	>80	6.5
CRPS/123/F/88/3K	1200x300	8800	5280	62.5	84.5	3000K	>80	6.5
CRPS/123/F/52/4K	1200x300	5200	3120	37.0	84.3	4000K	>80	6.5
CRPS/123/F/88/4K	1200x300	8800	5280	59.0	89.5	4000K	>80	6.5

LED Opalised Diffuser with Clear Underside and Security Screws

Catalogue No.	Nominal Dimensions (mm)	LED Flux (Lumens)	Luminaire Flux (Lumens)	Total System Wattage	Luminaire Lumens / Circuit Watt	Colour Temp	CRI	Weight (Kg)
CRPSV/66/F/52/3K	600x600	5200	3120	39.5	79.0	3000K	>80	6.5
CRPSV/66/F/88/3K	600x600	8800	5280	62.5	84.5	3000K	>80	6.5
CRPSV/66/F/52/4K	600x600	5200	3120	37.0	84.3	4000K	>80	6.5
CRPSV/66/F/88/4K	600x600	8800	5280	59.0	89.5	4000K	>80	6.5
CRPSV/123/F/52/3K	1200x300	5200	3120	39.5	79.0	3000K	>80	6.5
CRPSV/123/F/88/3K	1200x300	8800	5280	62.5	84.5	3000K	>80	6.5
CRPSV/123/F/52/4K	1200x300	5200	3120	37.0	84.3	4000K	>80	6.5
CRPSV/123/F/88/4K	1200x300	8800	5280	59.0	89.5	4000K	>80	6.5

Dimmable Drivers: To specify DALI driver replace 'F' in catalogue number with 'X': e.g. CRP/66/X/88/3K

To specify DALI driver wired for Switchdim operation replace 'F' in catalogue number with 'S': e.g. CRPV/123/S/52/4K

Emergency Conversion: To specify 3 hour maintained emergency packs, add 'E' to catalogue number: e.g. CRP/66/F/88E/4K

Self Test Emergency Conversion: To specify 3 hour maintained self test emergency packs, add 'ES' to catalogue number: e.g. CRP/123/F/52ES/4K