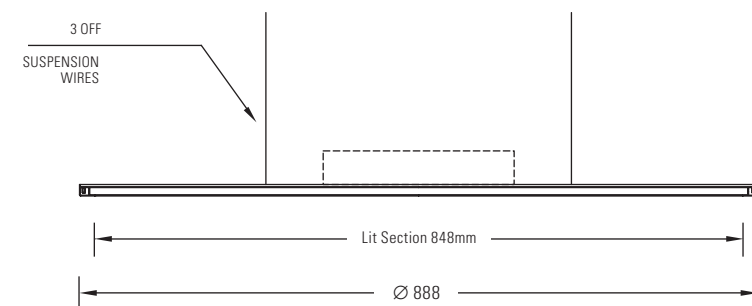


OWL CIRCULAR 888

LED 

A circular suspended ultra slim luminaire designed to give to an even panel luminance by use of edge lit LED technology.

- White (RAL9010) aluminium body section houses the LEDs and acts as a heat sink.
- A sandwich of opal acrylic below a graduated screen printed clear lens ensures the light is transmitted evenly from the perimeter LEDs to the centre of the panel.
- The OWLC88 has an extremely wide even distribution at all angle of azimuth. This results in high vertical illuminance and evenly lit walls from ceiling to floor.
- Colour temperature – available in 4000K version.
- Colour rendering index Ra >80.
- Predicted lifetime >50,000 hours.
- Lumen Depreciation: 5000 hours – 95.5%
10,000 hours – 90%
- IP40 rated.
- No ultra violet or infra red emissions.
- Drivers available in fixed output DALI or Switchdim operation.
- Photometric data available in Eulumdat format on request or via Relux website.
- Standard ITAB Prolight LED warranty (see page 161).



Catalogue No.	Nominal Dimensions (mm)	Mounting	Luminaire Flux (Lumens)	Total System Wattage	Luminaire Lumens / Circuit Watt	Colour Temp	CRI	Weight (Kg)
OWLC88/50/4K/SP	Ø 888	Suspended	5000	63	79	4000K	>80	9

Dimmable Drivers: To specify DALI driver add 'D' to catalogue number: e.g. OWLC88/50D/4K/SP

To specify DALI driver wired for Switchdim operation add 'DW' to catalogue number: e.g. OWLC88/50DW/4K/SP

Emergency Conversion: To specify 3 hour maintained emergency packs, add 'E' to catalogue number: e.g. OWLC88/50E/4K/SP