


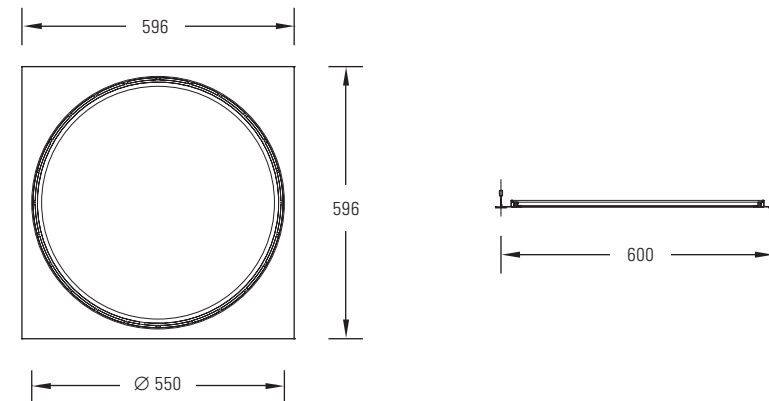
OWL CIRCULAR 550 MICROPRISMATIC

 LED 

Designed specifically for office use the OWL Microprismatic range has been expanded to include the 550mm diameter circular panel. Available in suspended, surface and modular recessed version, along with fixed output, DALI, DSI or Switchdim driver the circular OWL Microprismatic is practical, stylish and ideal for use in offices. Standard 3 hour, self-test or DALI reporting emergency kits are also available.

- Cast aluminium body section houses the LEDs and acts as a heat sink. All versions supplied in white (RAL9010) as standard.
- A sandwich of an acrylic microprismatic panel below a graduated screen printed clear panel ensures the light is transmitted evenly from the perimeter LEDs to the centre of the panel.
- The microprismatic diffuser reduces the luminance at 65° from the vertical, making the Owl Microprismatic ideal for use in office areas with high luminance screens.
- Average luminance at 65° for OWLC 550 Microprismatic: 4000K – 2580 cd/m².
- Colour rendering index Ra >80.
- Colour temperature – available in 4000K version.
- Predicted lifetime >50,000 hours.
- Lumen depreciation: 5000 hours – 95.5%
10,000 hours – 90%
- IP40 rated.
- No ultra violet or infra red emissions.
- Tridonic drivers supplied as standard. Available in fixed output, DALI, DSI or Switchdim operation.
- Standard, self test and DALI reporting 3 hour maintained emergency conversions are available.
- Photometric data available in Eulumdat format on request or via Relux website.
- Nominal lumen outputs are shown in the tables, but alternative preset outputs are available, at special request in the range 2200-4000 lumens.
- Standard ITAB Prolight LED warranty (see page 161).

Recessed Modular

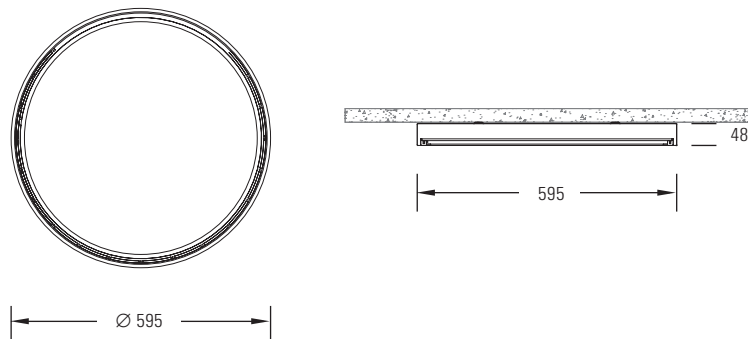


Catalogue No.	Ceiling	Nominal Dimensions (mm)	Luminaire Flux (Lumens)	LED Wattage	Total System Wattage	Luminaire Lumens / Circuit Watt	Colour Temp	CRI	Weight (Kg)
OWLCT55M/34/4K	Exposed T	600x600	3400	33	37	91.9	4000K	>80	5.5
OWLCB55M/34/4K	Burgess	600x600	3400	33	37	91.9	4000K	>80	5.5

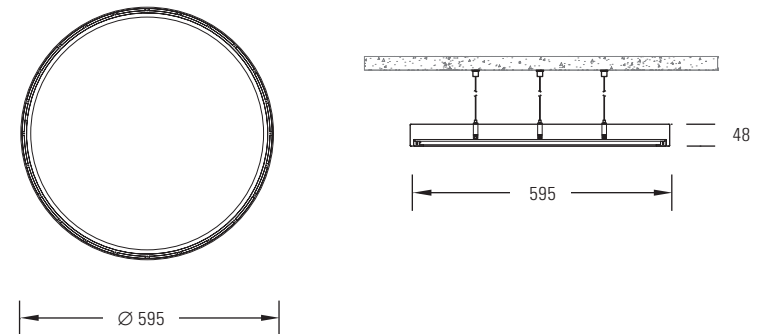
Dimmable Drivers: To specify DALI/DSI driver add 'D' to catalogue number: e.g. OWLCT55M/34D/4K
To specify DALI/DSI driver wired for Switchdim operation add 'DW' to catalogue number: e.g. OWLCB55M/34DW/4K



Surface



Wire Suspended



Catalogue No.	Nominal Dimensions (mm)	Luminaire Flux (Lumens)	LED Wattage	Total System Wattage	Luminaire Lumens / Circuit Watt	Colour Temp	CRI	Weight (Kg)
OWLC55M/27/4K/SM	Ø 595	2700	26	30	73.0	4000K	>90	7
OWLC55M/34/4K/SM	Ø 595	3400	33	30	91.9	4000K	>90	7

Catalogue No.	Nominal Dimensions (mm)	Luminaire Flux (Lumens)	LED Wattage	Total System Wattage	Luminaire Lumens / Circuit Watt	Colour Temp	CRI	Weight (Kg)
OWLC55M/27/4K/SP	Ø 595	2700	26	30	73.0	4000K	>90	7
OWLC55M/34/4K/SP	Ø 595	3400	33	30	91.9	4000K	>90	7

Emergency Conversion: To specify 3 hour maintained emergency packs, add 'E' to catalogue number: e.g. OWLC55M/27E/4K/SM
Self Test Emergency Conversion: To specify 3 hour maintained emergency packs, add 'ES' to catalogue number: e.g. OWLC55M/27ES/4K/SM

Please specify required suspension length at time of enquiry.