




Recessed Modular



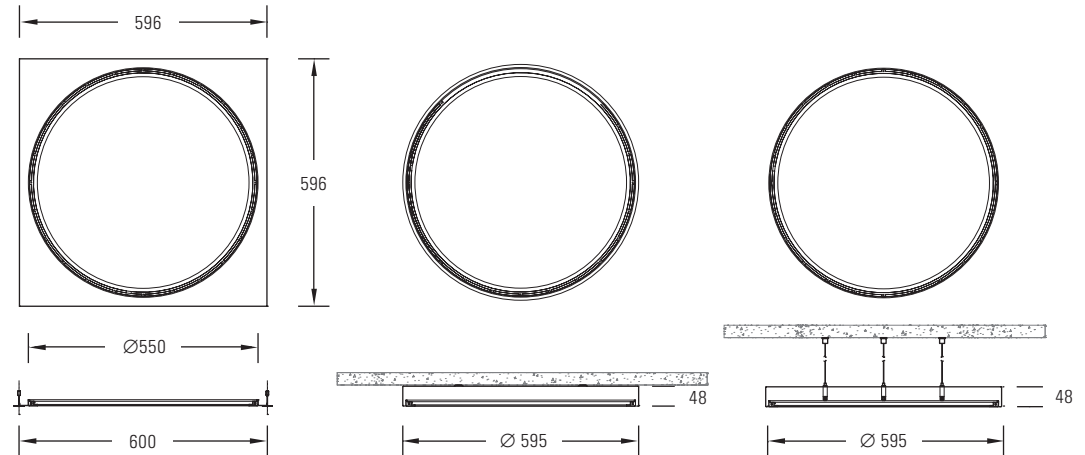
Surface

OWL CIRCULAR 550

LED 

A circular recessed, suspended, surface or ultra slim luminaire designed to give an even panel luminance by use of edge lit LED technology.

- Extruded aluminium body section houses the LEDs and acts as a heat sink. Recessed body supplied in silver. Surface and suspended bodies supplied in white (RAL9010) as standard.
- A sandwich of opal acrylic below a graduated screen printed clear lens ensures the light is transmitted evenly from the perimeter LEDs to the centre of the panel.
- The OWLC has an extremely wide even distribution at all angles of azimuth. This results in high vertical illuminance and evenly lit walls from ceiling to floor.
- Colour temperature – available as 4000K version as standard. Others available on request.
- Colour rendering index Ra >80.
- Predicted lifetime >50,000 hours.
- Lumen depreciation: 5000 hours – 95.5%
10,000 hours – 90%
- IP40 rated.
- No ultra violet or infra red emissions.
- Tridonic drivers supplied as standard. Available in fixed output, DALI, DSI or Switchdim operation.
- Standard, self test and DALI reporting 3 hour maintained emergency conversions are available. Emergency LED charge indicators are mounted in the body of the surface and suspended version and in a remote 35mm diameter (20mm cut out) housing for the recessed version.
- Photometric data available in Eulumdat format on request or via Relux website.
- Nominal lumen outputs are shown in the tables, but alternative preset outputs are available, at special request in the range 2200-4000 lumens.
- Standard ITAB Prolight LED warranty (see page 161).



Recessed Modular

Surface

Wire Suspended



Wire Suspended

Recessed Modular

Catalogue No.	Ceiling	Nominal Dimensions (mm)	Luminaire Flux (Lumens)	LED Wattage	Total System Wattage	Luminaire Lumens / Circuit Watt	Colour Temp	CRI	Weight (Kg)
OWLCT55/34/4K	Exposed T	600x600	3400	33	37	91.9	4000K	>80	5.5
OWLCB55/34/4K	Burgess	600x600	3400	33	37	91.9	4000K	>80	5.5

Surface

Catalogue No.	Nominal Dimensions (mm)	Luminaire Flux (Lumens)	LED Wattage	Total System Wattage	Luminaire Lumens / Circuit Watt	Colour Temp	CRI	Weight (Kg)
OWLC55/34/4K/SM	Ø 595	3400	33	37	91.9	4000K	>80	7

Wire Suspended

Catalogue No.	Nominal Dimensions (mm)	Luminaire Flux (Lumens)	LED Wattage	Total System Wattage	Luminaire Lumens / Circuit Watt	Colour Temp	CRI	Weight (Kg)
OWLC55/34/4K/SP	Ø 595	3400	33	37	91.9	4000K	>80	7

Dimmable Drivers: To specify DALI/DSI driver add 'D' to catalogue number: e.g. OWLC55/34D/4K

To specify DALI/DSI driver wired for Switchdim operation add 'DW' to catalogue number: e.g. OWLC55/34DW/4K/SM

Emergency Conversion: To specify 3 hour maintained emergency packs, add 'E' to catalogue number: e.g. OWLC55/34E/4K

Self Test Emergency Conversion: To specify 3 hour maintained emergency packs, add 'ES' to catalogue number: e.g. OWLC55/34ES/4K/SM

Please specify required suspension length at time of enquiry.

