




Recessed – silver



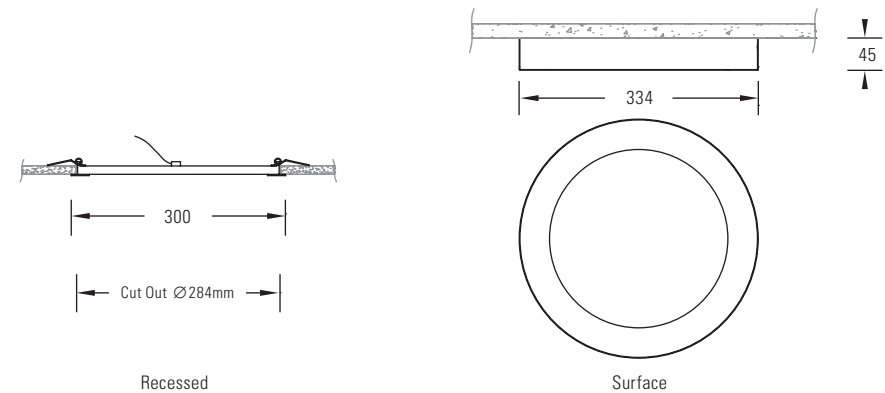
Surface – white

OWL CIRCULAR 300

LED 

A circular recessed or surface ultra slim luminaire designed to give an even panel luminance by use of edge lit LED technology.

- Recessed – die-cast silver aluminium body section houses the LEDs and acts as a heat sink.
- Surface – white (RAL9010) spun aluminium body.
- A sandwich of opal acrylic below a graduated screen printed clear lens ensures the light is transmitted evenly from the perimeter LEDs to the centre of the panel.
- The OWLC30 has an extremely wide even distribution at all angle of azimuth. This results in high vertical illuminance and evenly lit walls from ceiling to floor.
- Colour temperature – available in 4000K version.
- Colour rendering index Ra >80.
- Predicted lifetime >50,000 hours.
- Lumen Depreciation: 5000 hours – 95.5%
10,000 hours – 90%
- IP40 rated.
- No ultra violet or infra red emissions.
- Tridonic drivers supplied as standard. Available in fixed output, DALI, DSI or Switchdim operation.
- Standard, self test and DALI reporting 3 hour maintained emergency conversions are available. Emergency LED charge indicators are mounted in the body of the surface and suspended version and in a remote 35mm diameter (20mm cut out) housing for the recessed version.
- Photometric data available in Eulumdat format on request or via Relux website.
- Standard ITAB Prolight LED warranty (see page 161).



Catalogue No.	Mounting	Nom Dimensions (mm)	Luminaire Flux (Lumens)	LED Wattage	Total System Wattage	Luminaire Lumens / Circuit Watt	Colour Temp	CRI	Weight (Kg)
OWLC30/15/4K	Recessed Non Modular	Ø 300	1500	18	22	69	4000K	>80	1.5
OWLC30/15/4K/SM	Surface	Ø 334	1500	18	22	69	4000K	>80	1.8

Dimmable Drivers: To specify DALI/DSI driver add 'D' to catalogue number: e.g. OWLC30/15D/4K

To specify DALI/DSI driver wired for Switchdim operation add 'DW' to catalogue number: e.g. OWLC30/15DW/4K

Emergency Conversion: To specify 3 hour maintained emergency packs, add 'E' to catalogue number: e.g. OWLC30/15E/4K
OWLC30/15ER/4K/SM (Remote box for surface version).

Self Test Emergency Conversion: To specify 3 hour maintained emergency packs, add 'ES' to catalogue number:
e.g. OWLC30/15ES/4K and OWLC30/15ER/4K/SM (Remote box for surface version).