

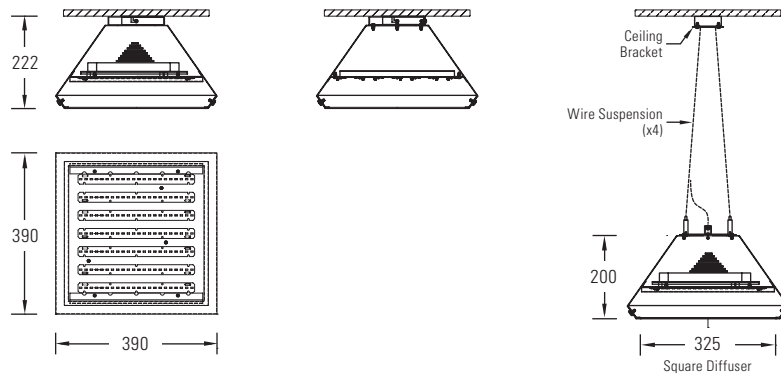


HIGH BAY SQUARE

LED

The High Bay Square offers a wide variety of lumen packages in an alternative style of housing. LED sources provide maintenance and energy savings when compared to traditional compact fluorescent or metal halide pendants.

- Available in 3000K or 4000K colour temperatures.
- Colour rendering of Ra >80 and a lifetime of 50,000 hours.
- Ra > 90 available for certain outputs (please contact our technical department).
- Available with fixed output, DALI, DSI or Switchdim driver.
- Lumen packages up to 10,000 board lumens.



SPECIFICATION

- Body:** Main body made from mild steel and finished white (RAL9010) as standard. Other colours are available on request.
- Diffuser:** Opalised LED specific panel to ensure no LED 'spotting'.
- Drivers:** Fixed output supplied as standard. DALI, DSI and Switchdim versions available. Add suffix 'D' to specify DALI /DSI driver: e.g. HBSQ/45D/4K/OP. Add 'DW' to specify Switchdim driver: e.g. HBSQ/45DW/4K/OP.
- Emergency:** Not currently available. Suggest ELL LED surface emergency downlight – see P153 of catalogue.
- Mounting:** Available with surface mount or wire suspension kit. Please specify at time of ordering.

Catalogue No.	LED Flux (Lumens)	Luminaire Flux (Lumens)	LED Wattage	Total System Wattage	Luminaire Lumens / Circuit Watt	Colour Temp	CRI
HBSQ/45/4K/OP	4480	3539	25.9	29.2	121.2	4000K	>80
HBSQ/59/4K/OP	5880	4645	32.0	35.4	131.2	4000K	>80
HBSQ/84/4K/OP	8330	6580	47.9	52.1	126.3	4000K	>80
HBSQ/108/4K/OP	10850	8571	60.4	64.6	132.7	4000K	>80

To specify surface mount kit, request part number: HBSQ/SURF/KIT

To specify wire suspended, request part number: HBSQ/SUSP/KIT/*0m, where * is the length of drop in metres.