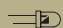




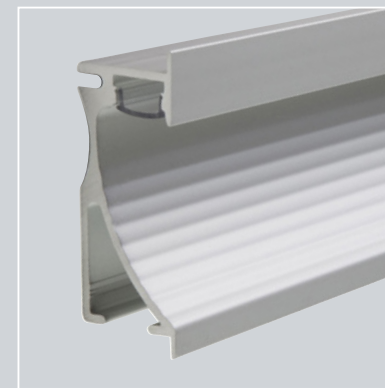
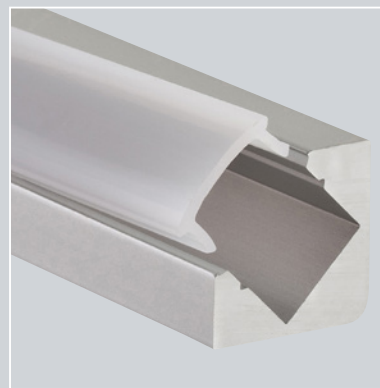
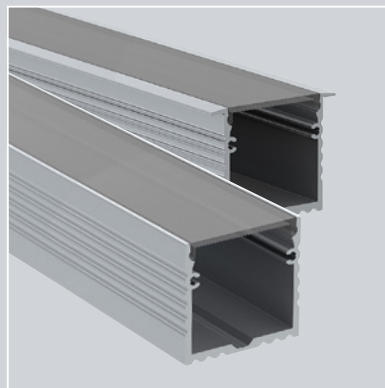
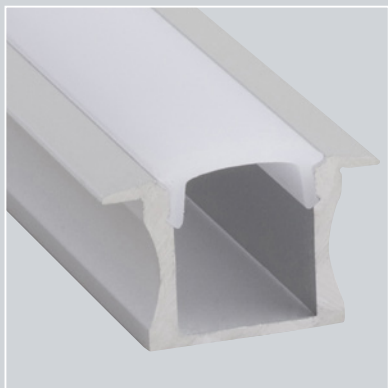
LED PROFILES

LED 

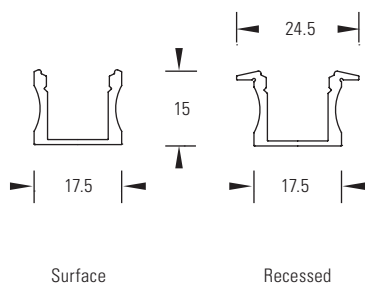
ITAB Prolight offer a range of aluminium LED profiles for a wide variety of applications.

The systems utilise a base aluminium extrusion incorporating 3000K or 4000K Seoul 5630 LED's operating at 24V DC, with a CRI of 85 or 92 and a power consumption of 17.6W per metre. The maximum serial connection length is 2m.

- CRI: 85 – 3000K – 1589 LED lumens per metre @17.6W (90 lms/w)
CRI: 85 – 4000K – 1725 LED lumens per metre @17.6W (98 lms/w)
CRI: 92 – 3000K – 1197 LED lumens per metre @17.6W (68 lms/w)
CRI: 92 – 4000K – 1285 LED lumens per metre @17.6W (73 lms/w)
- Alternative profiles, outputs, colour temperatures, colour finishes, RGB options and IP rated versions are available on request.
- Each system can be tailor made to suit the application, please contact our sales or technical departments for assistance.
- Drivers are available in fixed output from 60W to 240W. DALI dimmable and IP rated versions are available on request.
- Colour rendering index Ra >85 or Ra >92.
- Predicted lifetime >50,000 hours.
- Colour temperature – available in 3000K and 4000K versions.
- Standard ITAB Prolight LED warranty (see page 161).



15mm Slimline



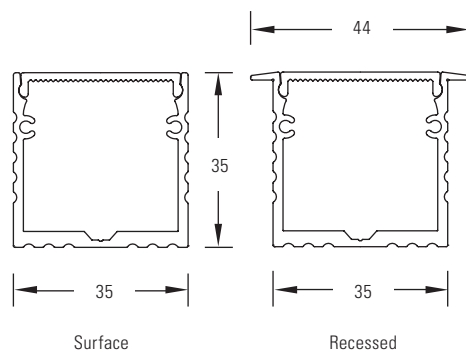
SPECIFICATION

Body: Surface or recessed mounted, silver anodised extruded aluminium.

Diffuser: Extruded UV stabilised opal polycarbonate.

Installation: End caps, in line couplers and mounting brackets are available.

35mm Powerline



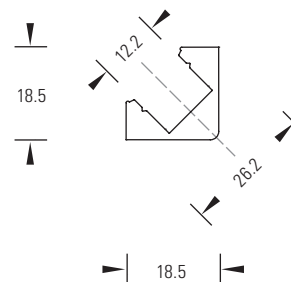
SPECIFICATION

Body: Surface or recessed mounted, silver anodised extruded aluminium.

Diffuser: Extruded UV stabilised opal polycarbonate.

Installation: End caps, 90 joints, in line couplers and mounting brackets are available.

Alu-45



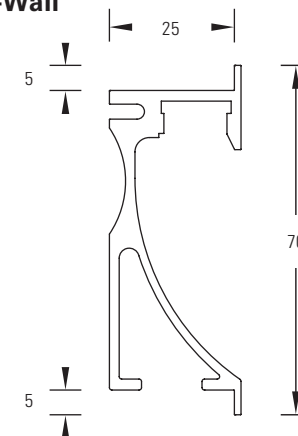
SPECIFICATION

Body: 45° surface mounted, silver anodised extruded aluminium.

Diffuser: Extruded UV stabilised opal polycarbonate.

Installation: End caps, in line couplers and mounting brackets are available.

Alu-Wall



SPECIFICATION

Body: Recessed asymmetric, silver anodised extruded aluminium.

Diffuser: Extruded UV stabilised opal polycarbonate.

Installation: End caps, and mounting brackets for direct or indirect distribution are available.