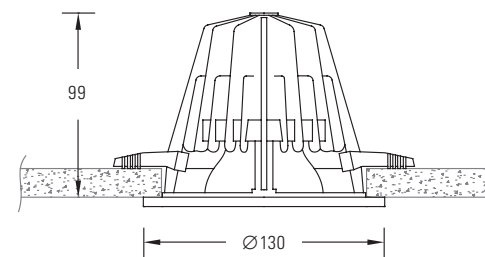


Chrome Bezel

LDM2 LED

A range of mini LED display downlights incorporating LED arrays with an integrated heat sink.

- Highly efficient multi-faceted reflector optic provides a homogenous light distribution and delivers efficacies of up to 122 luminaire lumens/circuit Watt. (DLOR = 93%).
- 40° flood beam angle reflector as standard, 24° medium angle option is also available.
- Available with a range of attachments to cover a wide range of decorative and functional applications.
- Hospital nightlight option incorporates a low output LED engine (280 lumen output, 2.9W, 4000K) Specify catalogue number: LDM2W/NL.
- Supplied with white bezel as standard, chrome and brushed aluminium options are also available. Special colours on request.
- Available with trimless plaster kit.
- Colour temperature – available in 3000K and 4000K versions.
- Colour rendering available in Ra >80 or Ra >90 options. (800 lumen version in Ra >80 only).
- Predicted lifetime >50,000 hours.
- No ultra violet or infra red emissions.
- Drivers available in fixed output, DALI or Switchdim operation.
- Weight = 0.5 Kg.
- Standard and self test 3 hour maintained emergency conversions are available. Emergency LED charge indicator is located in a remote 35mm diameter (20mm cut out) housing.
- Photometric data available in Eulumdat format on request or via Relux website.
- Standard ITAB Prolight LED warranty (see page 161).

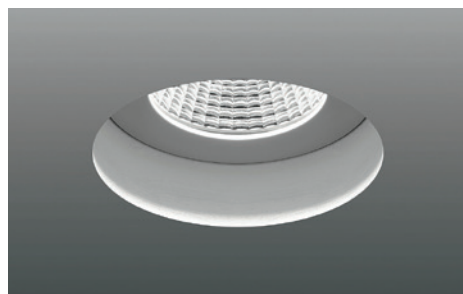
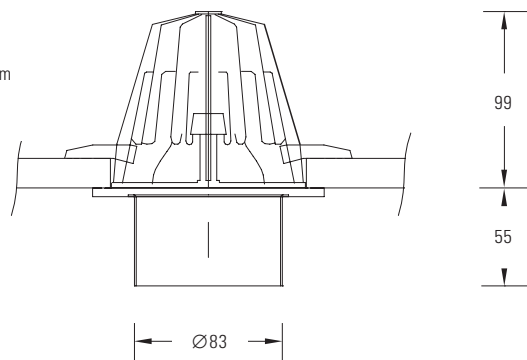


Cut Out
Ø110mm
Suitable for
ceiling thickness
7-25mm

Catalogue No.	Colour	LED Flux (Lumens)	Luminaire Flux (Lumens)	Total System Wattage	Luminaire Lumens / Circuit Watt	Colour Temp	CRI
LDM2W/08/3K8	White	780	724	6.1	118.7	3000K	>80
LDM2W/08/4K8	White	800	744	6.1	122.0	4000K	>80
LDM2W/11/3K8	White	1500	1402	12.8	109.5	3000K	>80
LDM2W/11/4K8	White	1650	1536	12.8	120.0	4000K	>80
LDM2W/11/3K9	White	1300	1214	12.8	94.8	3000K	>90
LDM2W/11/4K9	White	1400	1290	12.8	100.8	4000K	>90
LDM2W/20/3K8	White	2250	2083	18.2	114.5	3000K	>80
LDM2W/20/4K8	White	2400	2248	18.2	123.5	4000K	>80
LDM2W/20/3K9	White	1850	1731	18.2	95.1	3000K	>90
LDM2W/20/4K9	White	2100	1967	18.2	108.1	4000K	>90



Nightlight
Cut Out Ø110mm



Trimless Kit

SPECIFICATION

- Body:** Die cast aluminium twist and lock bezel.
- Reflectors:** Specular aluminium (LOR = 90%) with 40° beam angle as standard. 24° reflector also available: add suffix **'M'**: e.g. LDM2W/11/4K8/**M**
- Drivers:** To specify DALI driver add **'D'** to catalogue number: e.g. LDM2W/20**D**/4K/8
To specify DALI driver wired for Switchdim operation add **'DW'** to catalogue number: e.g. LDM2W/20**DW**/4K8
- Emergency:** To specify 3 hour maintained emergency packs, add **'E'** to catalogue number: e.g. LDM2W/11**E**/4K8
- Self Test:** To specify 3 hour self test maintained emergency packs, add **'ES'** to catalogue number: e.g. LDM2W/11**ES**/3K9
- Bezels:** To specify, replace **'W'** in the catalogue number as follows:
- | | | | |
|----------|----------------------------|--|--|
| C | Chrome | | |
| A | Brushed Aluminium | | |
| | e.g. LDM2 C /20/4K8 | | |
- Attachments:** To specify add suffix as follows:
- | | | | |
|------------|-----------------------------------------------------------|------------|----------------------------|
| HR | Clear Halo Ring | SG | IP54 Clear Glass |
| HRO | Opal Halo Ring | SFG | IP54 Fully Etched Glass |
| VR | Vertical Glass Ring | DG | Frosted Glass Dome |
| VRB | Blue Vertical Glass Ring | KR | Kick Reflector |
| FH | Frosted Inner Highlight Ring | BDL | Black Dark Light Reflector |
| | e.g. LDM2W/20/4K8/ HRO and LDM2W/11/3K9/ DG | | |
- Trimless Kit:** Specify: LDM2/TK
- Nightlight:** Specify: LDM2W/NL