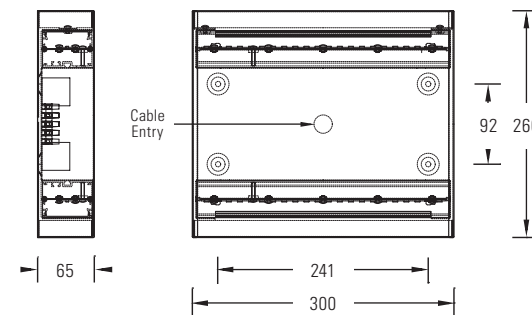


INGOT WALL LIGHT

LED

A wall mounted IP20 direct / indirect LED wall light.

- Available with integral emergency options (not available in twin circuit versions).
- Extruded high efficiency reeded polycarbonate diffusers.
- 2 x 1100 lumen LED boards.
- Colour temperature – available in 3000K and 4000K versions.
- Colour rendering index Ra >80.
- Predicted lifetime >50,000 hours.
- Lumen depreciation: 5000 hours – 95.5%
10,000 hours – 90%
- No ultra violet or infra red emissions.
- Available with fixed output, DALI or Switchdim drivers.
- Standard and self test 3 hour maintained emergency conversions are available.
- Standard ITAB Prolight LED warranty (see page 161).



Catalogue No.	LED Flux (Lumens)	Switching	LED Wattage	Total System Wattage	Colour Temp	Weight (Kg)
INGW/F/22/3K	2200	1 Circuit	15.6	17.2	3000K	3.3
INGW/F/22/4K	2200	1 Circuit	15.6	17.2	4000K	3.3
INGW/FS/22/3K	2x1100	2 Circuits (Up/Down)	15.6	17.2	3000K	3.4
INGW/FS/22/4K	2x1100	2 Circuits (Up/Down)	15.6	17.2	4000K	3.4
INGW/X/22/3K	2200	DALI 1 Circuit	15.6	17.2	3000K	3.3
INGW/X/22/4K	2200	DALI 1 Circuit	15.6	17.2	4000K	3.3
INGW/XS/22/3K	2x1100	DALI 2 Circuits (Up/Down)	15.6	17.2	3000K	3.4
INGW/XS/22/4K	2x1100	DALI 2 Circuits (Up/Down)	15.6	17.2	4000K	3.4

Colour: White shown as standard. To specify stainless steel finish, replace 'W' in the catalogue number with 'SS': e.g. INGSS/F/22/3K

Emergency Conversion: Emergency versions are not available in 2 circuit luminaires

To specify 3 hour maintained emergency packs, add 'E' to catalogue number: e.g. INGW/F/22E/4K

Self Test Emergency Conversion: To specify 3 hour self test maintained emergency packs, add 'ES' to catalogue number: e.g. INGW/X/22ES/4K

To specify Switchdim control, replace 'F' in the catalogue number with 'S': e.g. INGW/S/22/4K