

HILO

LED 

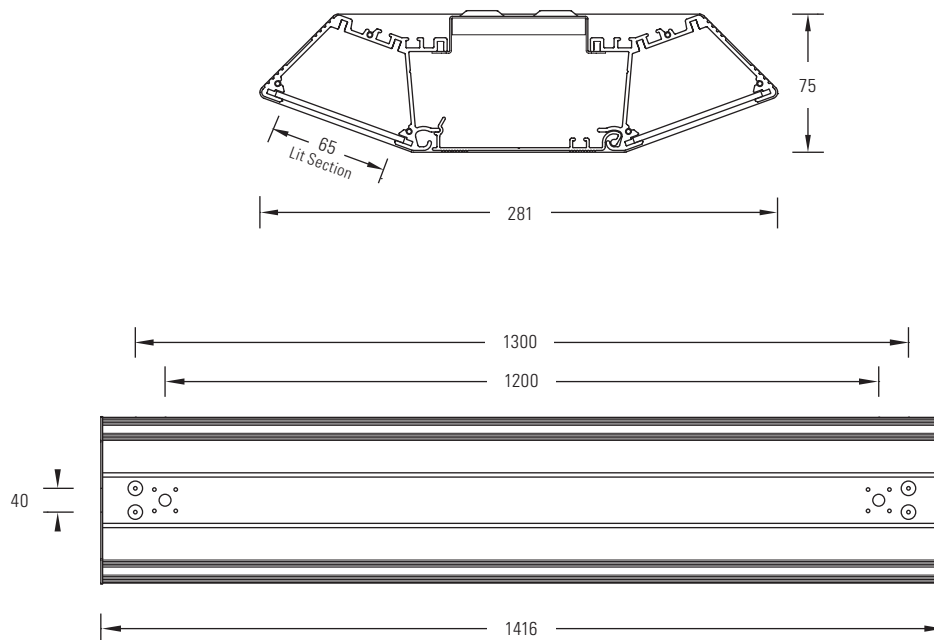
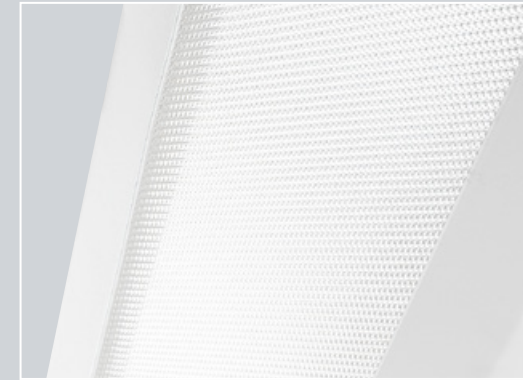
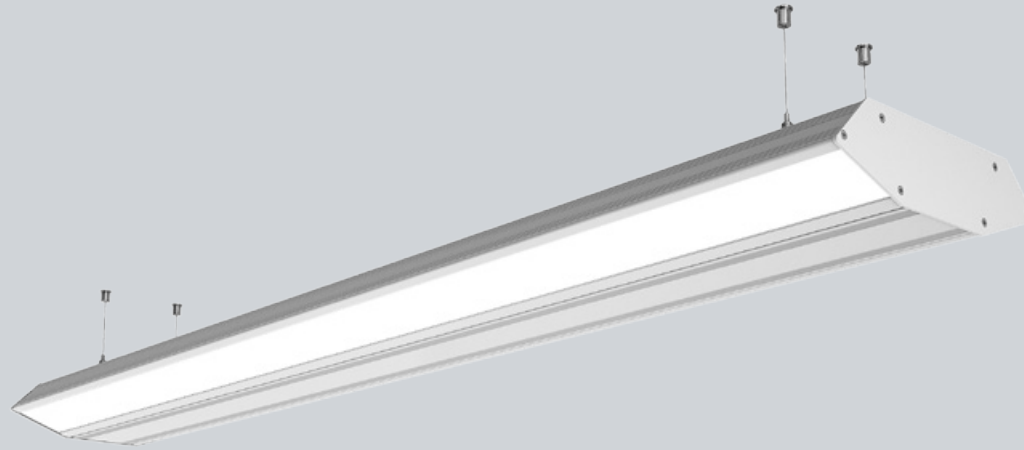
Designed to give a wide distribution, the LED Hilo is ideal for use in sports halls, warehouses and retail applications. With a predicted lifetime >50,000 hours, outputs up to 30,000 lumens, and options of fixed output or DALI/Switchdim control gear, Hilo is a flexible solution which can ensure running and maintenance savings in hard to reach areas.

Built in emergency packs and sensors complete the range.

- IK10 rated.
- Surface, suspended or trunking mounted.
- The outer optics are set at 20° to provide a wide transverse distribution, increasing uniformity and vertical illumination.
- Colour temperature – available in 3000K and 4000K versions.
- Predicted lifetime >50,000 hours.
- Photometric data available in Eulumdat format on request or via Relux website.
- No ultra violet or infra red emissions.
- Standard ITAB Prolight LED warranty (see page 161).

SPECIFICATION

Body:	Powder coated extruded aluminium in white (RAL9010) as standard. Special colours are available on request.
Diffuser:	Specially developed opalised polycarbonate, or conical de-glaring prismatic polycarbonate diffusers are available.
Dimmable Drivers:	Option of fixed output or DALI (wired for DALI or Switchdim operation).
Emergency:	Integral maintained 3-hour duration emergency lighting conversion packs are available, in stand alone, self test or DALI reporting versions.
Suspension:	Supported via stainless steel suspension wire and fixings (please specify length to nearest metre) for surface / trunking mounted.
Controls:	Presence detection and daylight linking controls can be incorporated into this luminaire (please contact our technical department for more information).



Catalogue No.	Nominal Length (mm)	Diffuser	LED Flux (Lumens)	Luminaire Flux (Lumens)	LED Wattage	Total System Wattage	Luminaire Lumens / Circuit Watt	Colour Temp	CRI	Weight (Kg)
HILO/15/F/110/4K/OP	1500	Opal	11000	7370	60.4	66.0	111.7	4000K	>80	9
HILO/15/F/130/4K/OP	1500	Opal	13600	9112	72.4	77.0	113.1	4000K	>80	9
HILO/15/F/150/4K/OP	1500	Opal	15500	10385	85.4	93.2	107.8	4000K	>80	9
HILO/15/F/200/4K/OP	1500	Opal	20000	13400	120.0	128.6	104.2	4000K	>80	9
HILO/15/F/290/4K/OP	1500	Opal	29600	17760	165.0	181.5	97.9	4000K	>80	9
HILO/15/F/110/4K/MP	1500	Microprism	11000	7480	60.4	66.0	113.3	4000K	>80	9
HILO/15/F/130/4K/MP	1500	Microprism	13600	9248	72.4	77.0	114.8	4000K	>80	9
HILO/15/F/150/4K/MP	1500	Microprism	15500	10540	85.4	93.2	109.4	4000K	>80	9
HILO/15/F/200/4K/MP	1500	Microprism	20000	13600	120.0	128.6	105.8	4000K	>80	9
HILO/15/F/290/4K/MP	1500	Microprism	29600	18944	165.0	181.5	104.4	4000K	>80	9

Dimmable Drivers: To specify DALI driver, replace 'F' in the catalogue number with 'X': e.g. HILO/15/X/110/4K/OP
 To specify DALI driver wire for Switchdim operation, replace 'F' in the catalogue number with 'S': e.g. HILO/15/S/110/4K/OP
Emergency Conversion: To specify 3 hour maintained emergency packs, add 'E' to catalogue number: e.g. HILO/15/F/110E/4K/OP
Self Test Emergency Conversion: To specify 3 hour maintained emergency packs, add 'ES' to catalogue number: e.g. HILO/15/F/110ES/4K/MP
DALI Emergency Conversion: To specify 3 hour emergency packs, add 'ED' to catalogue number: e.g. HILO/15/F/110ED/4K/MP
Colour Temperature: To specify 3000K colour temperature substitute '4K' in the catalogue number with '3K': e.g. HILO/15/F/110/3K/MP
Suspension: For suspended version, add 'SP' to the end of catalogue number and specify drop length at time of enquiry: e.g. HILO/15/F/110/4K/MP/SP