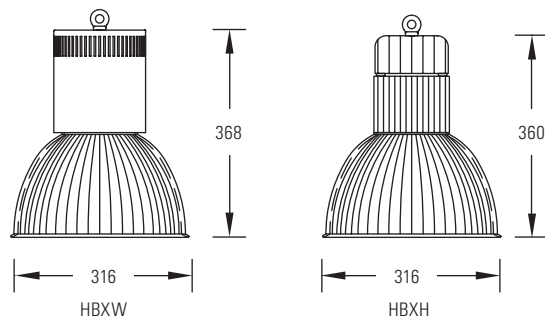




## HBX LED

An LED pendant High Bay utilising an opalised refractor to provide some indirect light and a vibrant lit appearance.

- Colour temperature – available in 3000K and 4000K versions.
- Colour rendering of Ra >80.
- Predicted lifetime >50,000 hours.
- Standard ITAB Prolight LED warranty (see page 161).



Catalogue No.	LED Flux (Lumens)	Luminaire Flux (Lumens)	Total System Wattage	Luminaire Lumens / Circuit Watt	Colour Temp	CRI	Weight (Kg)
HBXH/100/3K/OPR*	10000	9400	69.0	136.2	3000K	>80	3.5
HBXH/100/4K/OPR*	10000	9400	66.9	140.5	4000K	>80	3.5

\*Currently only available in fixed output options and can only accept a chain suspension set.

### SPECIFICATION

**Refractor:** Manufactured from microcellular foamed UV stabilised acrylic. This material provides an even soft glow appearance to the refractor. Coloured refractors available on request.

**OPR** Opalised Acrylic Refractor

**OPRL** Opalised Acrylic Refractor with clear underside.

**Emergency:** Not currently available – please check with our technical department.

**Suspensions:** Options of chain or wire suspensions.  
Specify **HBX/LED/CHSUS/2.0M** for 2m chain suspension system.  
Specify **HBX/LED/SUSKIT/2.0M** for single point adjustable wire suspension kit.  
Other lengths are available on request.

**HBXH** fitting can only accept a chain suspension set.

Catalogue No.	LED Flux (Lumens)	Luminaire Flux (Lumens)	Total System Wattage	Luminaire Lumens / Circuit Watt	Colour Temp	CRI	Weight (Kg)
HBXW/11/3K/OPR	1100	847	10.9	77.7	3000K	>80	4
HBXW/11/4K/OPR	1100	847	9.9	85.5	4000K	>80	4
HBXW/20/3K/OPR	2000	1540	20.4	75.5	3000K	>80	4
HBXW/20/4K/OPR	2000	1540	18.4	83.7	4000K	>80	4
HBXW/30/3K/OPR	3000	2310	29.9	77.2	3000K	>80	4
HBXW/30/4K/OPR	3000	2310	27.1	85.2	4000K	>80	4
HBXW/45/3K/OPR	4520	3480	38.6	90.2	3000K	>80	4
HBXW/45/4K/OPR	4520	3480	36.8	94.6	4000K	>80	4

**Dimmable Drivers:** To specify DALI driver add '**D**' to catalogue number: e.g. HBXW/20**D**/4K/OPR

To specify DALI driver wired for Switchdim operation add '**DW**' to catalogue number: e.g. HBXW/45**DW**/4K/OPR