



## FORCE

LED

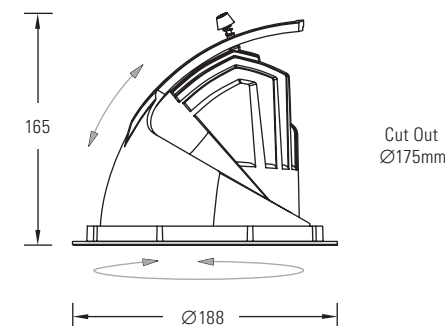
Utilising high efficiency LED technology, Force LED is a highly tooled display luminaire incorporating a 99.9% pure, specular anodised aluminium reflector system specially designed for LED sources to provide an homogenous, iridescent-free, light distribution whilst optimising light output and minimising glare.

Force has a specially designed heat sink to optimise the LED performance whilst maintaining the aesthetic balance of the luminaire. Controlling the LED array junction temperature ensures the unit operates at a minimum of 90% of its total efficiency.

LEDs provide instant light, an Ra of >80, unlimited dimming flexibility, and with a predicted life of over 50,000 hours, the additional benefit of significantly reduced maintenance costs.

Full photometric data is available on request or via the Relux website.

- Die cast aluminium recessed adjustable LED scoop spotlights. 188mm diameter.
- Available in white or silver.
- Complete with remote driver unit.
- Rotates 45° + 15° vertically and 355° horizontally (30° cut off to ceiling).
- Medium (20°) and flood (70°) reflector beam angles are available.
- Available with option of DALI/Touch & Dim drivers.
- Predicted lifetime >50,000 hours.
- Standard ITAB Prolight LED warranty (see page 161).



Catalogue No.	Colour	Beam Angle	LED Flux (Lumens)	Luminaire Flux (Lumens)	LED Wattage	Total System Wattage	Luminaire Lumens / Circuit Watt	Colour Temp	CRI
FCELW/20/M/3K	White	Medium (20°)	2000	1600	13.6	15.6	102.3	3000K	>80
FCELW/20/M/4K	White	Medium (20°)	2000	1600	12.5	14.4	111.3	4000K	>80
FCELW/20/F/3K	White	Flood (70°)	2000	1600	13.6	15.6	102.3	3000K	>80
FCELW/20/F/4K	White	Flood (70°)	2000	1600	12.5	14.4	111.3	4000K	>80
FCELW/30/M/3K	White	Medium (20°)	3000	2400	22.2	25.5	94.0	3000K	>80
FCELW/30/M/4K	White	Medium (20°)	3000	2400	20.3	23.3	102.8	4000K	>80
FCELW/30/F/3K	White	Flood (70°)	3000	2400	22.2	25.5	94.0	3000K	>80
FCELW/30/F/4K	White	Flood (70°)	3000	2400	20.3	23.3	102.8	4000K	>80

Catalogue No.	Colour	Beam Angle	LED Flux (Lumens)	Luminaire Flux (Lumens)	LED Wattage	Total System Wattage	Luminaire Lumens / Circuit Watt	Colour Temp	CRI
FCELS/20/M/3K	Silver	Medium (20°)	2000	1600	13.6	15.6	102.3	3000K	>80
FCELS/20/M/4K	Silver	Medium (20°)	2000	1600	12.5	14.4	111.3	4000K	>80
FCELS/20/F/3K	Silver	Flood (70°)	2000	1600	13.6	15.6	102.3	3000K	>80
FCELS/20/F/4K	Silver	Flood (70°)	2000	1600	12.5	14.4	111.3	4000K	>80
FCELS/30/M/3K	Silver	Medium (20°)	3000	2400	22.2	25.5	94.0	3000K	>80
FCELS/30/M/4K	Silver	Medium (20°)	3000	2400	20.3	23.3	102.8	4000K	>80
FCELS/30/F/3K	Silver	Flood (70°)	3000	2400	22.2	25.5	94.0	3000K	>80
FCELS/30/F/4K	Silver	Flood (70°)	3000	2400	20.3	23.3	102.8	4000K	>80

**DALI Drivers:** To specify DALI drivers add suffix 'D' into catalogue number: e.g. FCELW/20D/M/4K



## MINI FORCE

LED

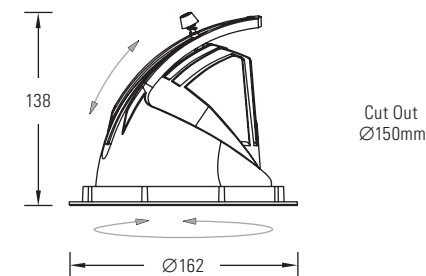
Utilising high efficiency LED technology, Mini Force LED is a highly tooled display luminaire incorporating a 99.9% pure, specular anodised aluminium reflector system specially designed for LED sources to provide an homogenous, iridescent-free light distribution, whilst optimising light output and minimising glare.

Mini Force has a specially designed heat sink to optimise the LED performance whilst maintaining the aesthetic balance of the luminaire. Controlling the LED array junction temperature ensures the unit operates at a minimum of 90% of its total efficiency.

LEDs provide instant light, an Ra of >80, unlimited dimming flexibility, and with a predicted life of over 50,000 hours, the additional benefit of significantly reduced maintenance costs.

Full photometric data is available on request or via the Relux website.

- Die cast aluminium recessed adjustable LED scoop spotlights. 162mm diameter.
- Colour rendering index Ra >80 and a predicted lifetime >50,000 hours.
- Colour temperature – available in 3000K and 4000K versions.
- Available in white or silver.
- Complete with remote driver unit.
- Rotates 45° + 15° vertically and 355° horizontally (30° cut off to ceiling).
- Medium (20°) and flood (70°) reflector beam angles are available.
- Available with option of DALI/Touch & Dim drivers.
- Standard ITAB Prolight LED warranty (see page 161).



Catalogue No.	Colour	Beam Angle	LED Flux (Lumens)	Luminaire Flux (Lumens)	LED Wattage	Total System Wattage	Luminaire Lumens / Circuit Watt	Colour Temp	CRI
FCFMLW/15/M/3K	White	Medium (20°)	1500	1215	10.5	12.1	100.6	3000K	>80
FCFMLW/15/M/4K	White	Medium (20°)	1500	1215	9.6	11.0	110.1	4000K	>80
FCFMLW/15/F/3K	White	Flood (70°)	1500	1215	10.5	12.1	100.6	3000K	>80
FCFMLW/15/F/4K	White	Flood (70°)	1500	1215	9.6	11.0	110.1	4000K	>80
FCFMLW/20/M/3K	White	Medium (20°)	2000	1620	14.9	17.1	94.5	3000K	>80
FCFMLW/20/M/4K	White	Medium (20°)	2000	1620	13.6	15.6	103.6	4000K	>80
FCFMLW/20/F/3K	White	Flood (70°)	2000	1620	14.9	17.1	94.5	3000K	>80
FCFMLW/20/F/4K	White	Flood (70°)	2000	1620	13.6	15.6	103.6	4000K	>80

Catalogue No.	Colour	Beam Angle	LED Flux (Lumens)	Luminaire Flux (Lumens)	LED Wattage	Total System Wattage	Luminaire Lumens / Circuit Watt	Colour Temp	CRI
FCFMLS/15/M/3K	Silver	Medium (20°)	1500	1215	10.5	12.1	100.6	3000K	>80
FCFMLS/15/M/4K	Silver	Medium (20°)	1500	1215	9.6	11.0	110.1	4000K	>80
FCFMLS/15/F/3K	Silver	Flood (70°)	1500	1215	10.5	12.1	100.6	3000K	>80
FCFMLS/15/F/4K	Silver	Flood (70°)	1500	1215	9.6	11.0	110.1	4000K	>80
FCFMLS/20/M/3K	Silver	Medium (20°)	2000	1620	14.9	17.1	94.5	3000K	>80
FCFMLS/20/M/4K	Silver	Medium (20°)	2000	1620	13.6	15.6	103.6	4000K	>80
FCFMLS/20/F/3K	Silver	Flood (70°)	2000	1620	14.9	17.1	94.5	3000K	>80
FCFMLS/20/F/4K	Silver	Flood (70°)	2000	1620	13.6	15.6	103.6	4000K	>80

**DALI Drivers:** To specify DALI drivers add suffix 'D' into catalogue number: e.g. FCEMLW/20D/M/4K