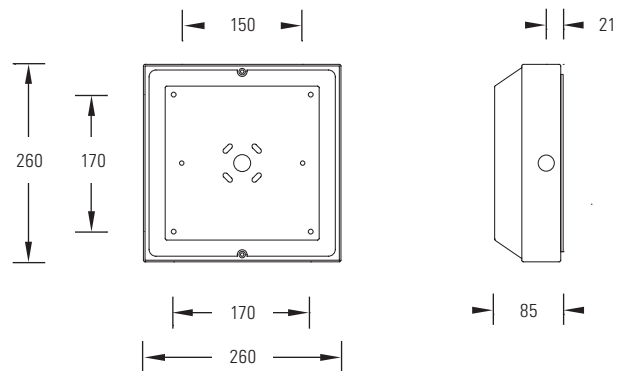




CYMBAL SQ LED

A range of robust wall or ceiling mounted square IP64 rated LED luminaires designed for general purpose use in staircases, toilets, stores, showers, bathrooms, exterior walls and canopies.

- Available with integral maintained emergency lighting packs.
- Predicted lifetime >50,000 hours.



Catalogue No.	Nominal Dimensions (mm)	LED Flux (Lumens)	Luminaire Flux (Lumens)	LED Wattage	Total System Wattage	Luminaire Lumens / Circuit Watt	Colour Temp	CRI	Weight (Kg)
SSPW/1750/4K	260x260	1900	1577	11.2	12.9	122.4	4000K	>80	2.5
SSPW/2400/4K	260x260	2500	2075	16.5	19.0	109.4	4000K	>80	2.5
SSPW/3500/4K	260x260	3500	2905	22.5	25.9	112.3	4000K	>80	2.5

SPECIFICATION

- Body:** White polyester powder coated steel and aluminium sealed to IP64.
- Gear Tray:** Completely removable for ease of installation and maintenance.
- Diffuser:** Polycarbonate prismatic retained by tamper proof domed headed allen key screws.
- Nightlight/ Emergency:** Centrally mounted LED on a separate circuit can be used for nightlighting (120 lumens) and/or non maintained emergency use (120 lumens). Also available in self test emergency versions on request:
 Add suffix **'N'** to specify nightlight: e.g. SSPW/1750**N**/4K
 Add suffix **'E'** to specify emergency: e.g. SSPW/1750**E**/4K
 Add suffix **'EN'** to specify emergency and nightlight: e.g. SSPW/1750**EN**/4K
 Add suffix **'ES'** to specify self test emergency: e.g. SSPW/1750**ES**/4K/OP
 Add suffix **'ED'** to specify DALI reporting emergency: e.g. SSPW/1750**ED**/4K/OP
- Dimmable Drivers:** Option of fixed output (standard), DALI or Switchdim control.
 Add suffix **'D'** to specify DALI driver or suffix **'DW'** to specify Switchdim:
 e.g. SSPW/1750**D**/4K or SSPW/1750**DW**/4K
- Warranty:** Standard ITAB Prolight LED warranty (see page 161).