

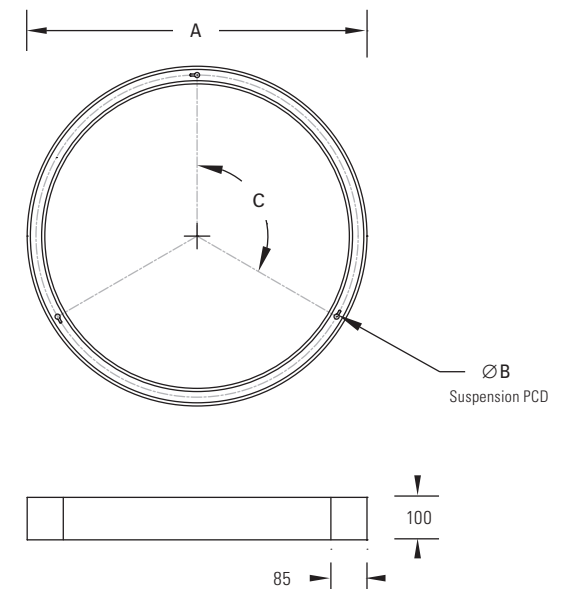


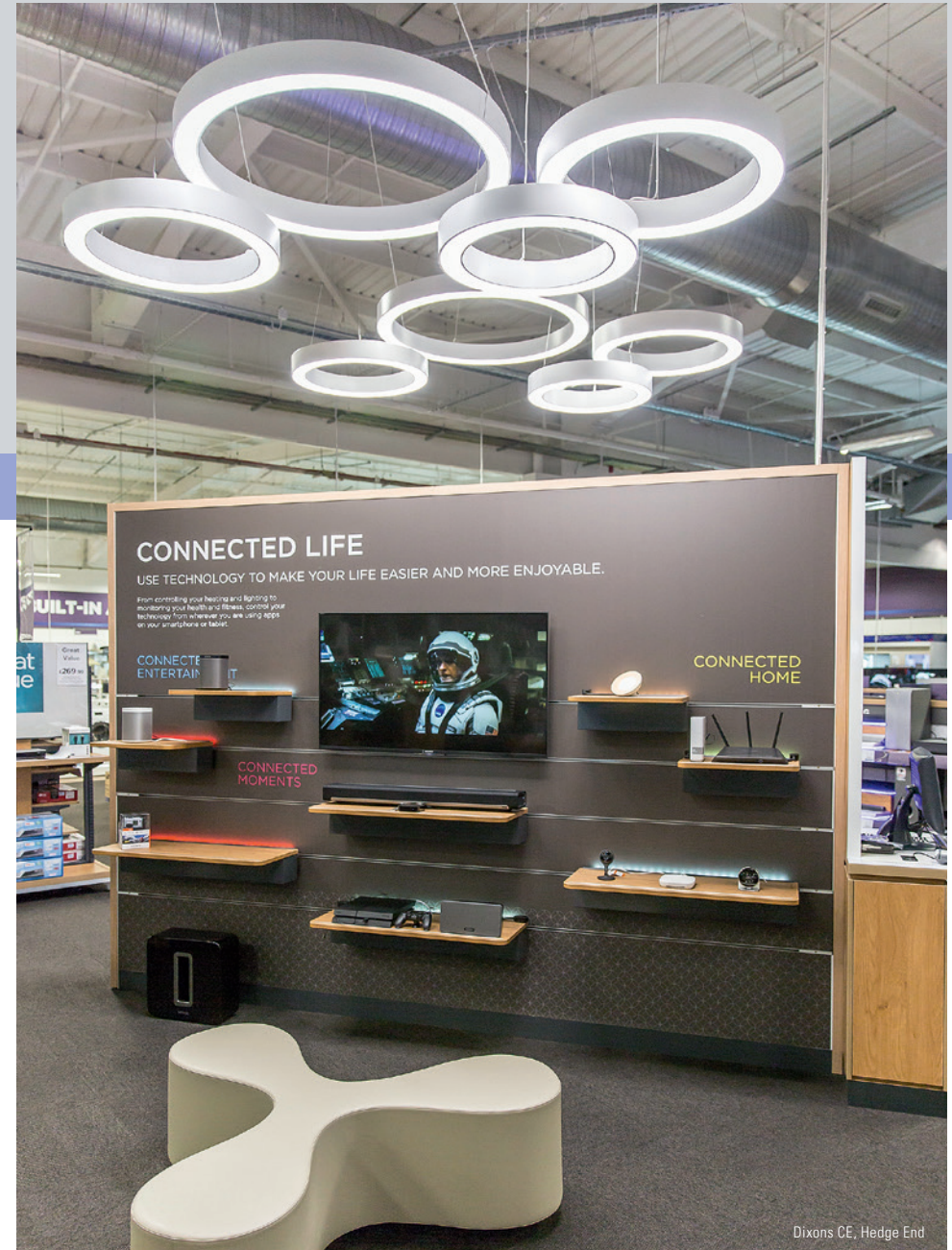
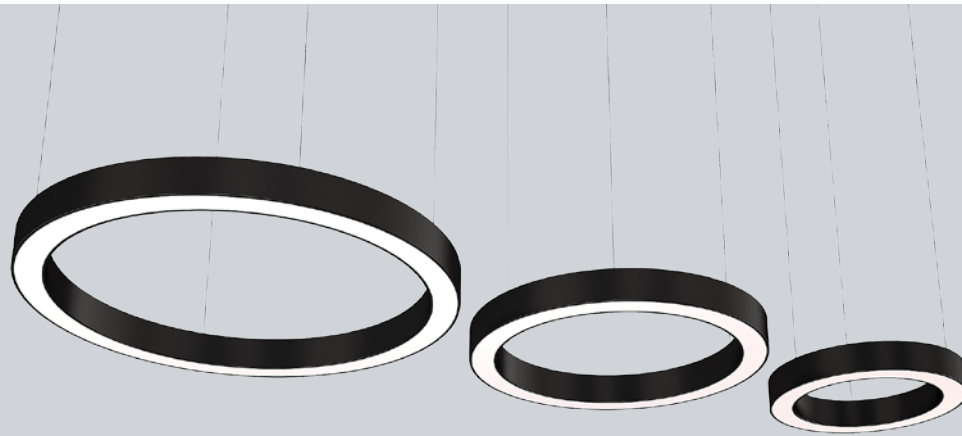
CORONA LED

A family of circular suspended decorative luminaires with an evenly lit opalised ring of light. For use in areas requiring elegant and stylish illumination. Ideal for retail, art galleries, reception areas, museums, restaurants and hotels.

- Colour temperature – available in 3000K and 4000K versions.
- Supported via stainless steel suspension wire and fixings (please specify length to nearest metre).
- 3 different diameters – 650mm / 925mm / 1200mm.
- 2 different outputs for each size.
- Fixed output, DALI or Switchdim control gear.
- Colour rendering index >80 supplied as standard. CRI 90+ available on request.
- Standard, self test and DALI reporting emergency conversions are available.
- White (RAL9016 as standard) other colours available on request.
- Predicted lifetime >50,000 hours.
- Photometric data available in Eulumdat format on request or via Relux website.
- No ultra violet or infra red emissions.
- Standard ITAB Prolight LED warranty (see page 161).

LUMEN	A	ØB	C	Qty. of Suspensions
4800	650	565	120°	3
9120	650	565	120°	3
7200	925	840	120°	3
13680	925	840	120°	3
9600	1200	1115	120°	3
18240	1200	1115	120°	3





Catalogue No.	Colour	Diameter (mm)	LED Flux (Lumens)	Luminaire Flux (Lumens)	LED Wattage	Total System Wattage	Luminaire Lumens / Circuit Watt	Colour Temp	CRI	Weight (Kg)
CRNW/048F/06/84	White	650	4800	3264	31.2	34.3	95	4000K	>80	8
CRNW/091F/06/84	White	650	9120	6201	62.4	68.6	90	4000K	>80	8
CRNW/072F/09/84	White	925	7200	4896	46.8	51.5	95	4000K	>80	12
CRNW/136F/09/84	White	925	13680	9302	93.6	103.0	90	4000K	>80	12
CRNW/096F/12/84	White	1200	9600	6528	62.4	68.6	95	4000K	>80	16
CRNW/182F/12/84	White	1200	18240	12403	125.0	137.0	90	4000K	>80	16

To specify a black version, replace 'W' in the catalogue number with 'B': e.g. CRNB/091F/06/84

Dimmable drivers: To specify DALI driver replace 'F' in the catalogue number with 'X': e.g. CRNW/091X/06/84

To specify DALI driver wired for Switchdim operation replace 'F' in the catalogue number with 'S': e.g. CRNW/091S/06/84

Emergency Conversion: To specify 3 hour maintained emergency packs, add 'E' to catalogue number: e.g. CRNW/091FE/06/84

Self Test Emergency Conversion: To specify 3 hour maintained emergency packs, add 'ES' to catalogue number: e.g. CRNW/091FES/06/84

DALI Emergency Conversion: To specify 3 hour emergency packs, add 'ED' to catalogue number: e.g. CRNW/091FED/06/84

Colour Temperature: To specify 3000K colour temperature replace '84' in the catalogue number with '83': e.g. CRNW/091F/06E/83

Dixons CE, Hedge End