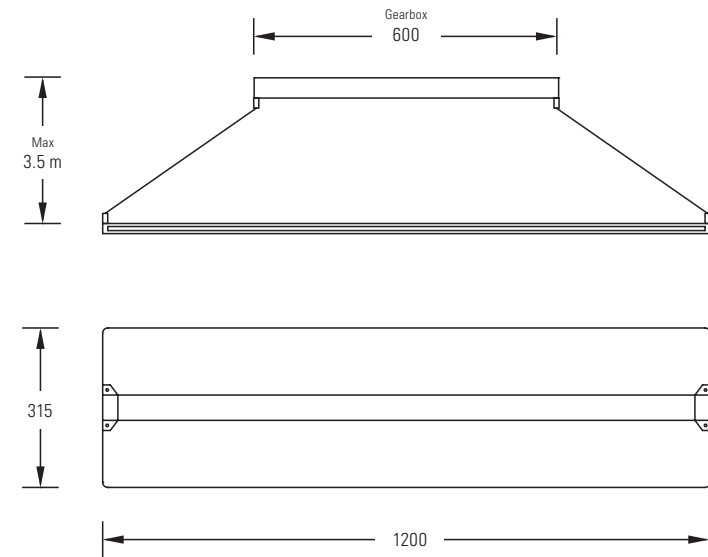


CLARITY – RECTANGULAR

LED 

An elegant 1200x300 suspended direct/indirect ultra-thin LED panel with optics which allow the panel to look transparent when switched off. This unique luminaire offers minimal visual impact when switched off and offers high uniformity, low glare comfortable light for applications including commercial, education and retail.

- Transparent optics when switched off.
- Low glare – ideal for offices and education.
- Ideal for use in commercial, education and retail areas.
- IP 20.
- Available with fixed output, DALI, DSI or Switchdim drivers.
- Standard, self test and DALI reporting 3 hour maintained emergency conversions are available.
- Colour temperature – available in 3000K and 4000K versions.
- Colour rendering index Ra >80.
- Predicted lifetime >50,000 hours.
- No ultra violet or infra red emissions
- Photometric data available in Eulumdat format on request or via Relux website.
- Standard ITAB Prolight LED warranty.



Catalogue No.	Dimensions (mm)	Luminaire Flux	Total System Wattage	Luminaire Lumens / Circuit Watt	Colour Temp	CRI
CLAR/F/123/28/4K/1.0	1200 x 300	2880	36	80	4000K	>80

Colour Temperature: For colour 3000 Kelvin, replace '4K' in the catalogue number with '3K': e.g. CLAR/F/123/28/3K/1.0

Dimmable Drivers: To specify DALI driver, replace 'F' in the catalogue number with 'X': e.g. CLAR/X/123/28/4K/1.0

To specify DALI driver wired for Switchdim operation, replace 'F' in the catalogue number with 'S': e.g. CLAR/S/123/28/4K/1.0

Emergency Conversion: To specify 3 hour maintained emergency packs, add 'E' to catalogue number: e.g. CLAR/F/123/28E/4K/1.0

Suspension Drops: To specify alternative drop replace '1.0' in the catalogue number with required length, up to a maximum of 3.5m: e.g. CLAR/F/123/28/4K/2.5